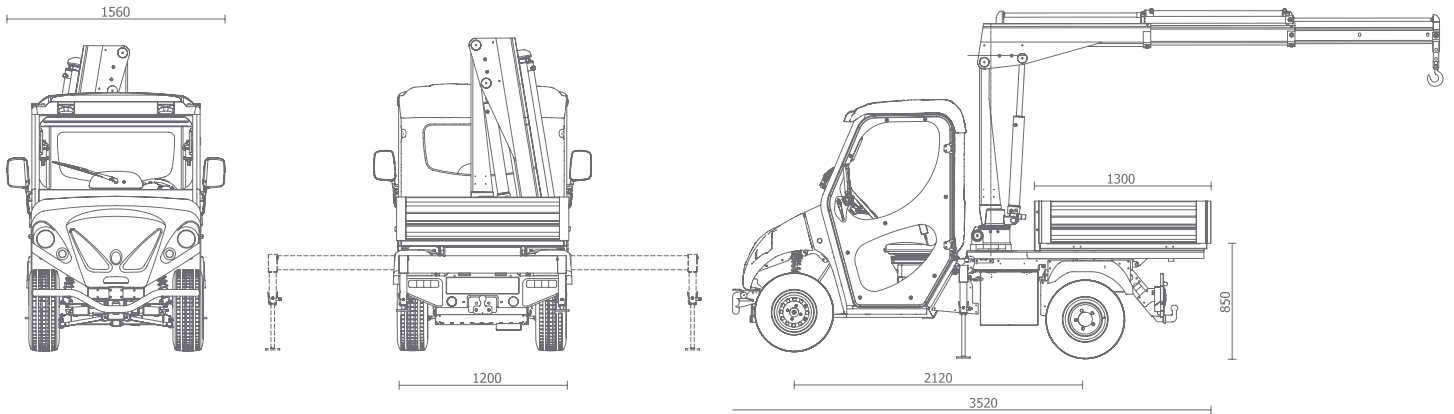




CARGO BED WITH 840 KG CRANE

technical specs



technical characteristics

compatible models	ATX230EH ATX240EH	
road homologation	x	
cargo bed dimensions	[mm] 1.300 x 1.240	Height loading platform from the floor 780 mm. Height sides 300 mm. No tilting platform.
height of vehicle (with crane)	[mm] 1.980	
weight of the module	[kg] 350	The weight of the vehicle is given by the empty weight (chassis) of the model on which is mounted the module plus the weight of the module itself.
loading capacity of vehicle		The load capacity of the vehicle is given by the load capacity (chassis) of the model on which is mounted the module less the weight of the module itself.
crane capacity	[kg] 840	Lifting capacity max 840 kg at 1.100 mm, hydraulic outreach 2.800 mm, slewing angle 180°, 2 Hydraulic stabilizing arms.



CARGO BED WITH 840 KG CRANE

technical specs

note

For all the other data refer to the technical specs of the model on which is fitted the module.

The technical specifications, design and performance of the products listed in this technical sheet are indicative and may undergo modifications without forewarning.

- standard
- Δ optional
- x not compatible