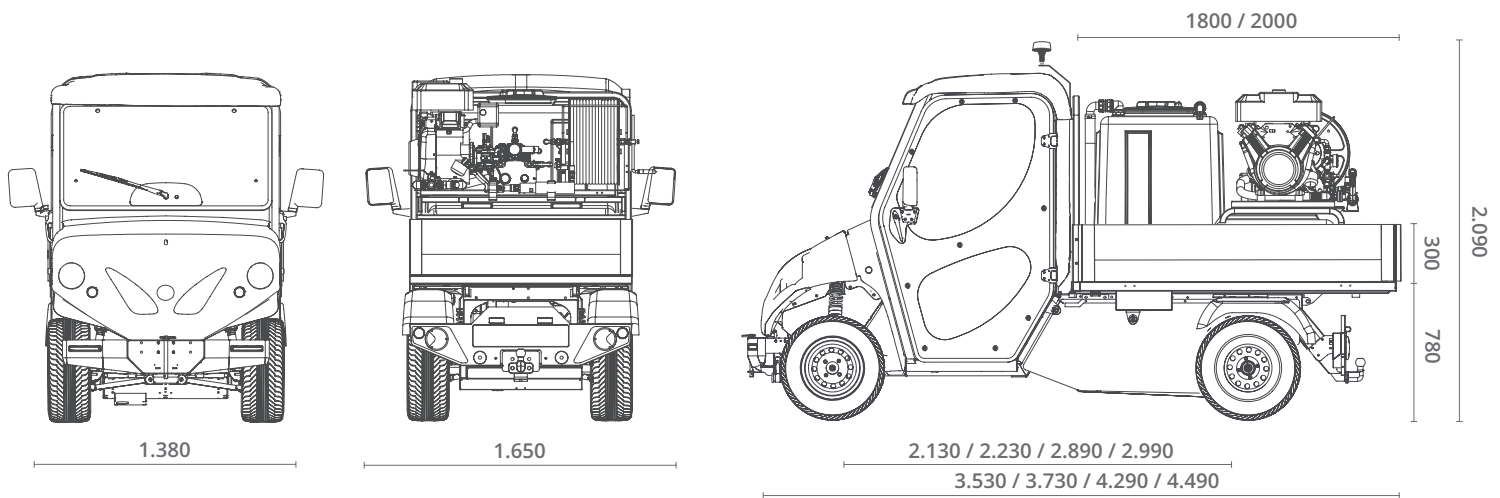




# ATX N1 FIREFIGHTING MODULE



compatible models		ATX230E/ED/EH/EDH N1 ATX240E/ED/EH/EDH N1		loading capacity of vehicle	
N1 road homologation		·		is given by the load capacity (chassis) of the model on which is mounted the module less the weight of the module and optionals/accessories	
model	length	height		module: weight	
ATX230E N1	[ mm ] 3.530 <sup>(1)</sup> / 3.730 <sup>(2)</sup>	1.900 (with standard tyres)		vehicle's weight: empty weight (chassis) of the model on which is mounted the module plus the weight of the module itself and optionals/accessories	[ kg ] 140
ATX230ED N1	[ mm ] 4.290 <sup>(1)</sup> / 4.490 <sup>(2)</sup>				
ATX230EH N1	[ mm ] 3.530 <sup>(1)</sup> / 3.730 <sup>(2)</sup>				
ATX230EDH N1	[ mm ] 4.290 <sup>(1)</sup> / 4.490 <sup>(2)</sup>				
ATX240E N1	[ mm ] 3.530 <sup>(1)</sup> / 3.730 <sup>(2)</sup>	2.090 (with standard tyres and flashing LED)		removable module	·
ATX240ED N1	[ mm ] 4.290 <sup>(1)</sup> / 4.490 <sup>(2)</sup>				
ATX240EH N1	[ mm ] 3.530 <sup>(1)</sup> / 3.730 <sup>(2)</sup>				
ATX240EDH N1	[ mm ] 4.290 <sup>(1)</sup> / 4.490 <sup>(2)</sup>				
width of vehicle (with wing mirrors closed / open)	[ mm ]	1.380 / 1.650		structure: reinforced fireproof fiberglass	
				tank capacity	[ L ] 600
				two cylinder petrol motor pump with 14 hp and electric start	
				piston pump capacity	42 liters at 100 bar

· as standard    Δ optional    ! compatible but not type-approved for road circulation  
 — not available    <sup>(1)</sup> vehicle with standard wheelbase    <sup>(2)</sup> vehicle with long wheelbase



**optionals and accessories**

hose reel	
with manual rewinding complete with fireproof R1 50 meters pipe with gun with full jet and atomized switch	•
aspiration kit with filter	•

**NOTE**

This module is powered by the battery of the vehicle therefore can affect the autonomy of the vehicle itself.

For all the other data refer to the technical specs of the model on which is fitted the module.

The technical specifications, design and performance of the products listed in this technical sheet are indicative and may undergo modifications without forewarning.



Via Cile, 5  
35127 Padua | Italy



+39 049 761208



info@alke.com

**WWW**

www.alke.com



• as standard    Δ optional    ! compatible but not type-approved for road circulation  
— not available    <sup>(1)</sup> vehicle with standard wheelbase    <sup>(2)</sup> vehicle with long wheelbase

© 2018 Alkè

Rev. 180605



ISO 9001 : 2008 - 687903  
ISO 14001 : 2004 - 687426  
OHSAS 18001 : 2007 - 687593

The technical specifications, design and performance levels indicated in this technical data sheet are by way of example only and may be subject to modifications without prior notice.