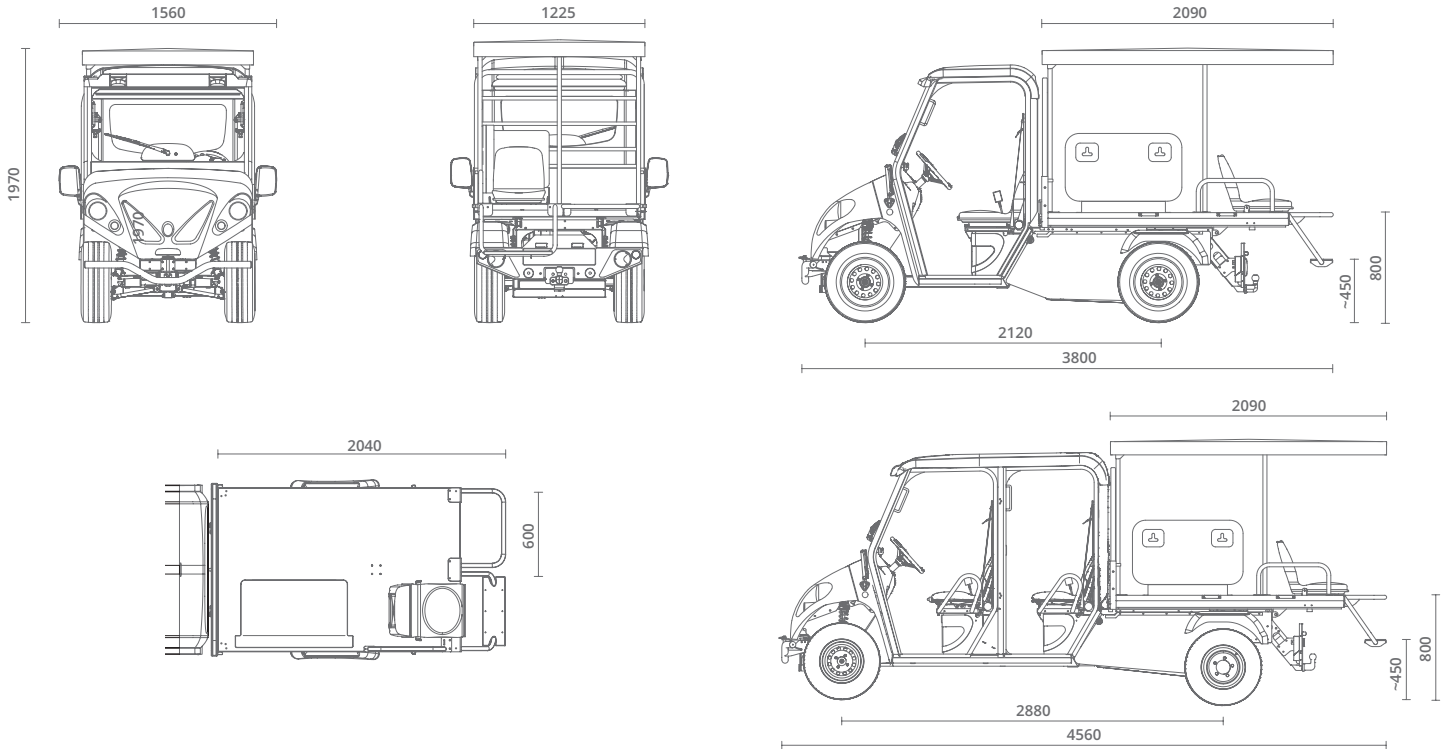




FIRST AID MODULE

technical specs



technical characteristics

compatible models	ATX210E ATX230E/ED/H ATX240E/ED/H	
road homologation	x	
length of vehicle	[versions E - mm] 3.800 [versions ED - mm] 4.560	
height of vehicle (with shade canopy)	[mm] 1.970	
weight of the module	[kg] 240	The weight of the vehicle is given by the empty weight (chassis) of the model on which is mounted the module plus the weight of the module itself. The weight of the first aid module includes the weight of the cargo bed.
dimensions of the module	[mm] 2.040 x 1.240	
removable module	•	Needs cargo bed with drop sides or flat cargo bed installed.



optionals and accessories

spine board •

rear passenger seat •

bag compartment for medication kits Δ

shade canopy Δ

note

For all the other data refer to the technical specs of the model on which is fitted the module.

The technical specifications, design and performance of the products listed in this technical sheet are indicative and may undergo modifications without forewarning.

• standard Δ optional x not compatible